

MarStand 815 GN

Indicator Stand with Delta Base

FEATURES

Indicator stand with delta base

- Sturdy base for stability and strength
- Convenient hand grip at the top of the base
- Structurally stable three-point support
- Stainless steel column and support arm
- Fine adjustment at support arm
- Display unit can be swiveled by $\pm 90^\circ$
- Easy to move without vibration
- Front of the base is ground to allow movement along edges and rulers
- **Package contains:** excludes indicator



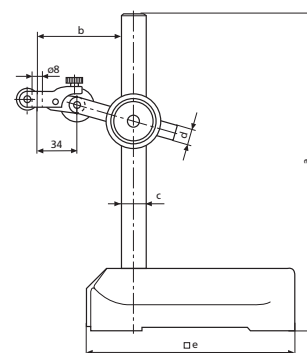
Application:

- For use on measuring and control plates

TECHNICAL DATA

Order no.		4413000	4413001	4413005	4413050	4413051	4413052
Product type		815 GN					
Fine adjustment range	mm	2					
Total height	mm	300	500	750	300	500	750
Total height	inch	12"	20"	30"	12"	20"	30"
Support arm reach (max.)	mm	185	200	230	185	200	230
Support arm reach (max.)	inch	7.28"	7.87"	9.06"	7.28"	7.87"	9.06"
Mounting hole		8H7			.375"		
Product weight	kg	4.20	9.00	10.00	4.20	9.00	10.00

Order no.	Base surface	a	b	c	d
	mm	mm	mm	mm	mm
4413000	150 x 150	300	185	18	14
4413001	190 x 180	500	200	25	18
4413005	190 x 180	750	230	35	25
4413050	150 x 150	300	185	18	14
4413051	190 x 180	500	200	25	18
4413052	190 x 180	750	230	35	25



MarStand 2400

Indicator Stand with Delta Base

FEATURES

Indicator stand with delta base

- A stable height stand for electronic measurement
- Fine adjustment in the base allows easy operator set up, even at high magnification
- Up to 3.8 mm / .150" adjustment when arms fully extended
- Collar has polymer bearings and metal to metal clamping
- Post is thermally heat-isolated from the base
- Arm lock is independent of the pivot lock
- Uses vertical lug mounting
- EHE-2056 Lever gagehead mounts directly to arm (as shown)
- EHE-2048 Lever gagehead requires an EAM-1071 adapter
- CP-83 Extra arm and swivel clamp assembly (allows mounting two lever gageheads on one stand)
- **Package contains:** excludes indicator



TECHNICAL DATA

Order no.	2050462	
Product type	2400	
Fine adjustment	•	
Fine adjustment range	mm	3.8
Fine adjustment range	inch	0.150"
Total height	mm	457
Total height	inch	18"
Support arm reach (max.)	mm	254
Support arm reach (max.)	inch	10"
Attachment	Uses vertical lug mounting	

Order no.	Base surface	Column diameter	Column diameter	Column height
		inch	mm	
2050462	162 x 94 mm	1.25"	31.8	457 mm / 18 in